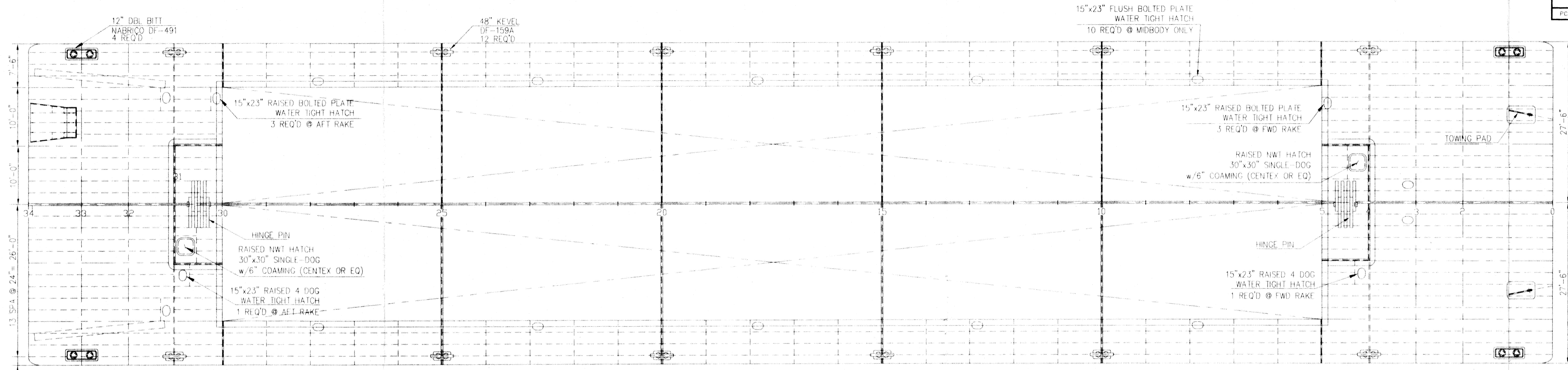
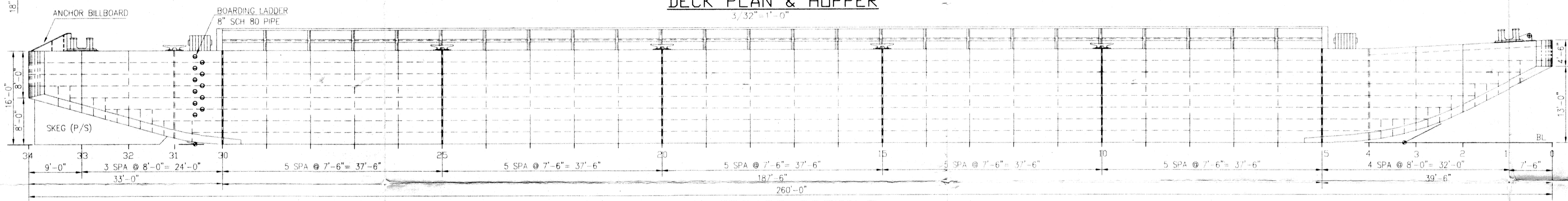


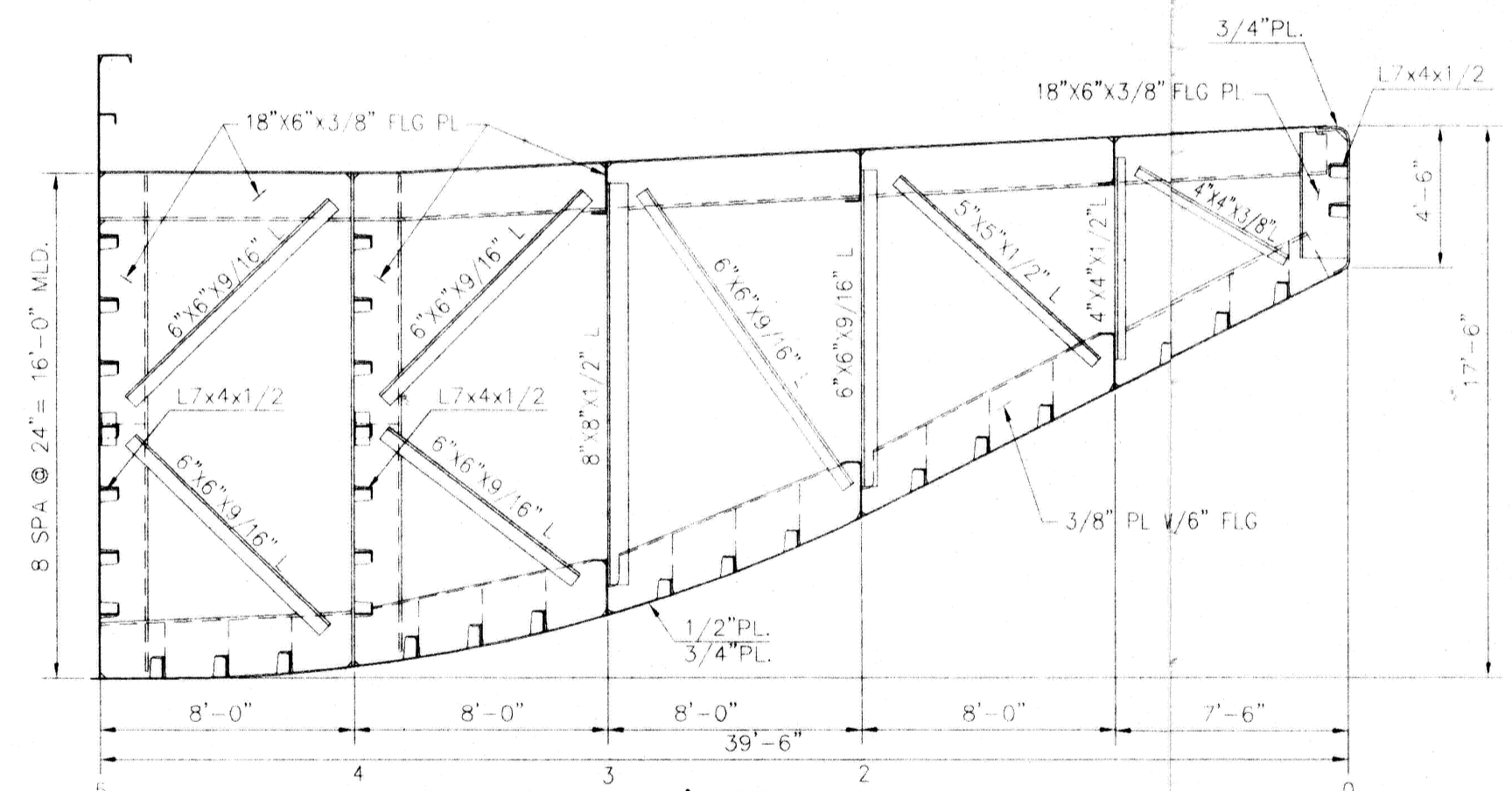
PC	NO.	RECD.	MATERIAL DESCRIPTION	LENGTH	WEIGHT	REMARKS
MATERIAL LIST FOR (1) ONE UNIT						



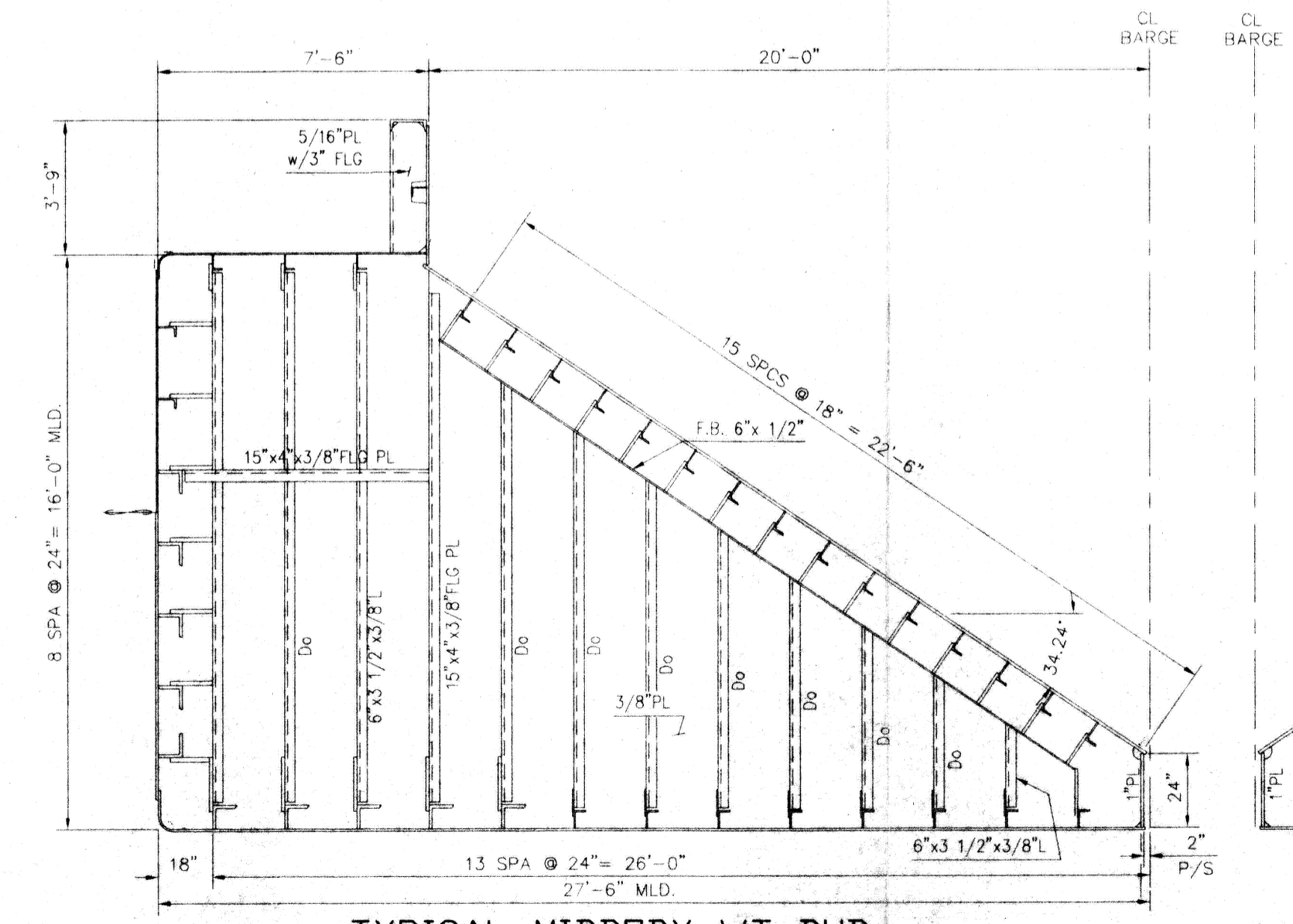
**DECK PLAN & HOPPER**  
3/32" = 1'-0"



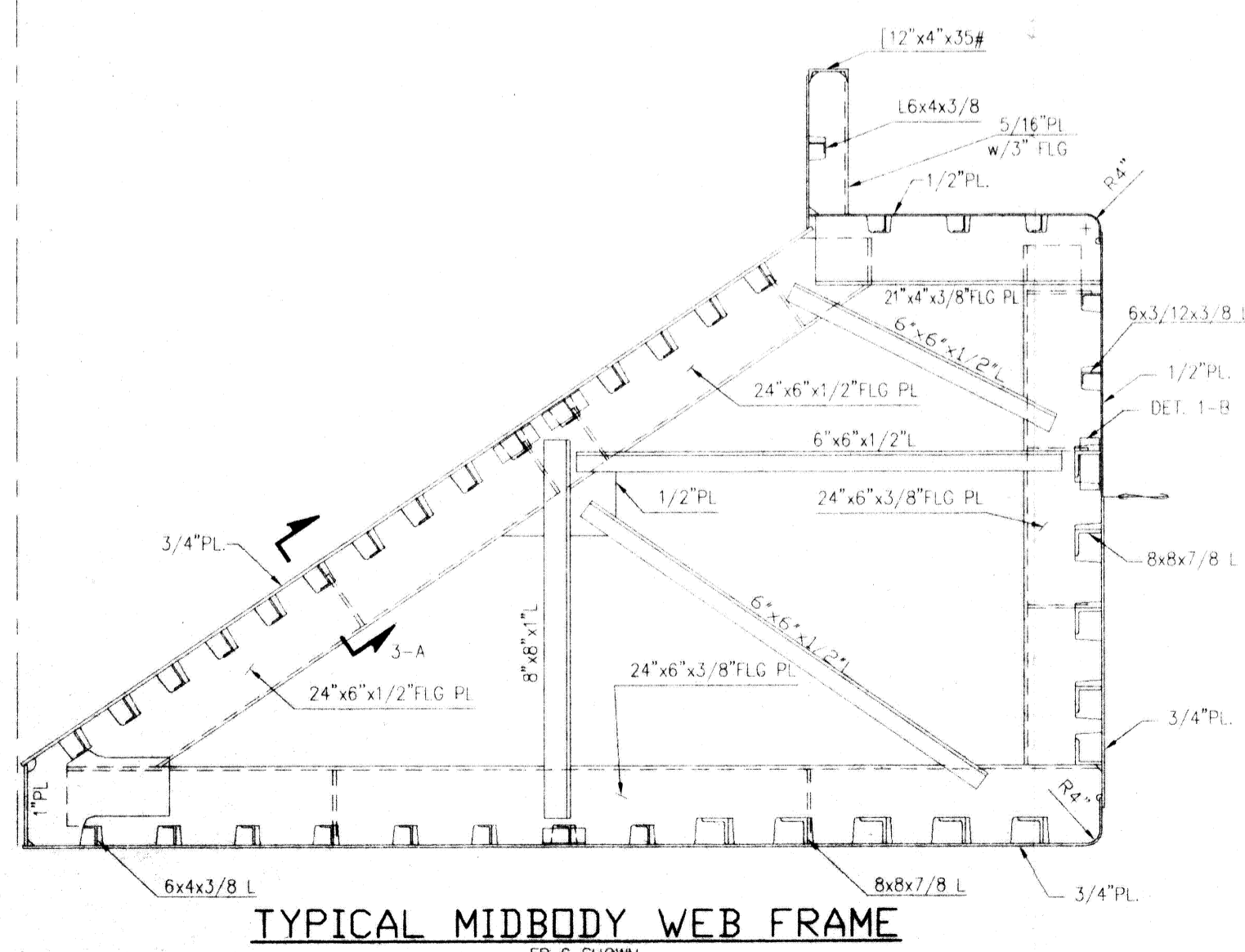
**OUTBOARD PROFILE**  
3/32" = 1'-0"



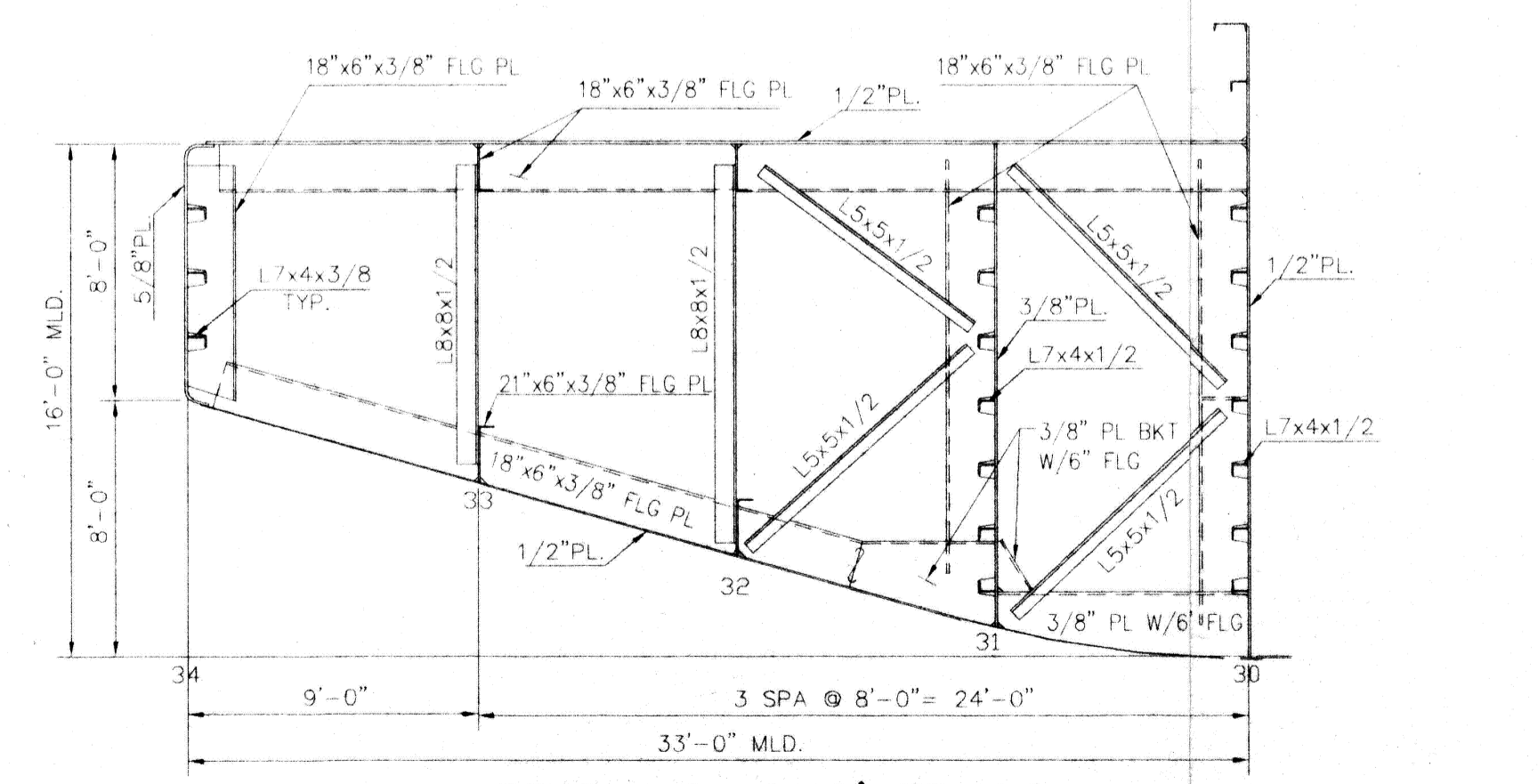
**FWD RAKE LONG TRUSS**  
TRUSS 20'-0" OFF CL SHOWN 3/16" = 1'-0"



**TYPICAL MIDBODY WT BHD**  
FR 10 SHOWN  
FR'S 15, 20 & 25 SM  
1/4" = 1'-0"



**TYPICAL MIDBODY WEB FRAME**  
FR 6 SHOWN  
FR'S 7-9, 11-14, 16-19, 21-24 & 26-29 SM  
1/4" = 1'-0"



**AFT RAKE LONG TRUSS**  
TRUSS 20'-0" OFF CL SHOWN 3/16" = 1'-0"

**APPROVED**  
Subject to comments in Marine Safety Center letter of  
**OCT 4 2001**  
*[Signature]*  
Commanding Officer  
USCG Marine Safety Center

NOTE: THIS DWG IS A COMBINATION OF DESIGN ASSOCIATES' DWGS AND IS INTENDED FOR CORN ISLAND USE ONLY. THIS DWG IS NOT INTENDED TO BE A CONTRACT DWG.

NO.	REVISION	BY	DATE
2	REVISED 30 X 30 RAISED HATCH OUTSIDE OF HINGE AREA IN BOTH RAKES WITH A 15 X 21 4 DOG HATCH PER A.B.S.	D.P.	6-28-01
1	REVISED BOLTED MANHOLES IN RAKES FROM A FLUSH HATCH TO A RAISED HATCH.	D.P.	6-25-01

**GENERAL ARRANGEMENT**  
260' x 55' x 16'-0" DUMP SCOW  
for STERLING EQUIPMENT INC.

**CORN ISLAND SHIPYARD**  
P. O. BOX 125  
LAMAR, IN 47556  
PH. (812) 362-8808

SCALE	NOTED	JOB NO.	HULL NO.	UNITS
DWN	D. FUND	DATE	4/11/01	REV.
CHKD	DATE	<b>D6-0016-01</b>		<b>2</b>
APPD	DATE			