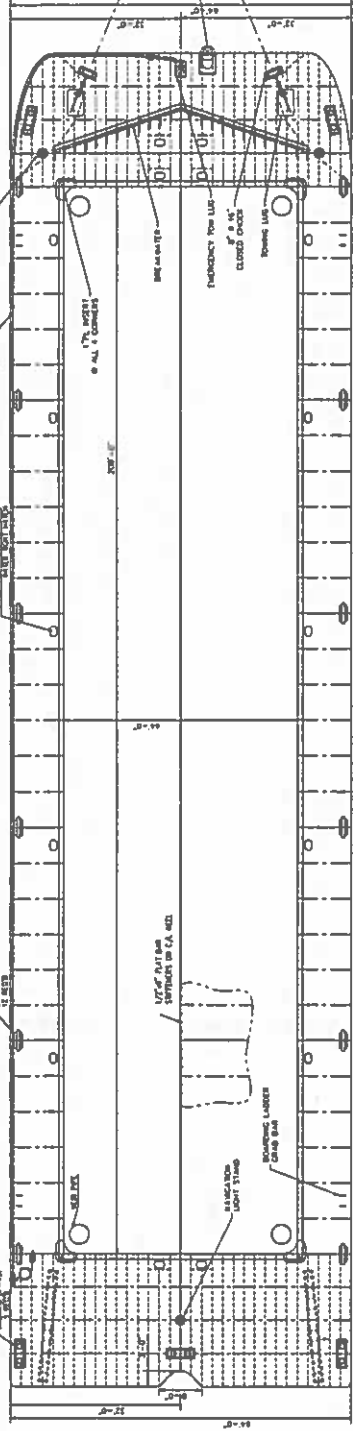


GENERAL NOTES

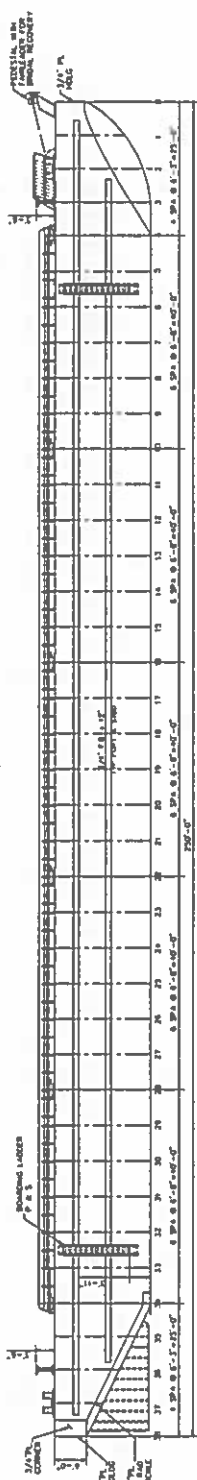
1. VESSEL TO BE LOADED FOR OCEAN SERVICES BY THE AMERICAN BUREAU OF SHIPING (ABS) SHALL BE CONSIDERED AS A STANDARD TYPE UNLESS OTHERWISE NOTED.
2. ALL DIMENSIONS ARE TO THE WOLDED LINE, UNLESS OTHERWISE NOTED.
3. ALL DIMENSIONS ARE TO THE WOLDED LINE, UNLESS OTHERWISE NOTED.
4. ALL WELDS SHALL BE AT A 3:1 SLOPE AT SEAMS AT MAXIMUM.
5. ALL WELDS SHALL BE AT A 3:1 SLOPE AT SEAMS AT MAXIMUM.
6. ALL STEEL SHALL BE A36 UNLESS OTHERWISE SPECIFIED.
7. ALL UNFINISHED SURFACES ARE TO BE PAINTED.

PRINCIPAL CHARACTERISTICS

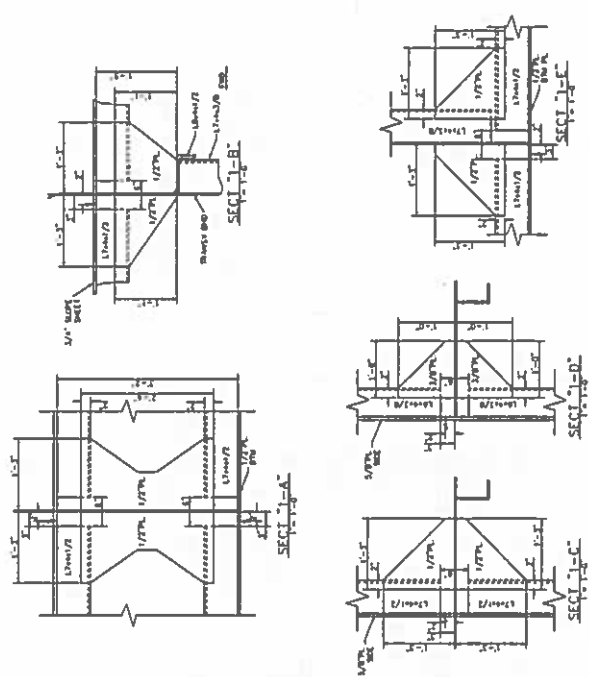
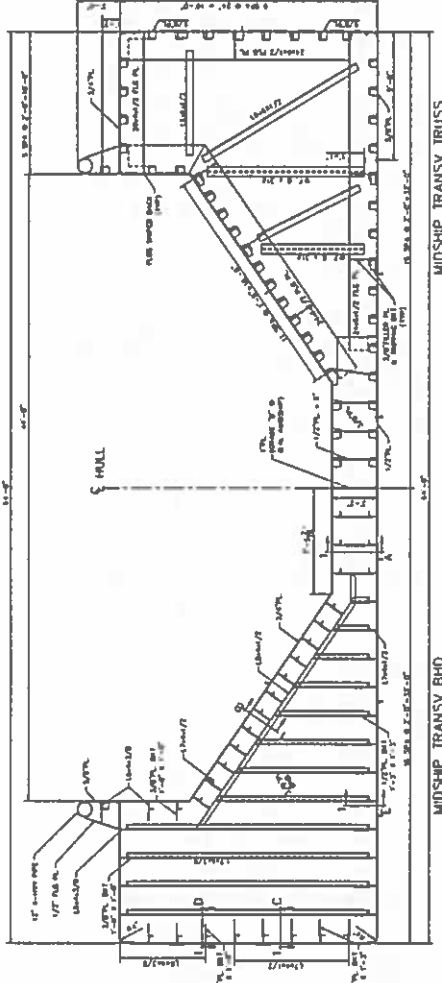
TYPE OF STEEL	A36
WELDS	WELDED
WELD METAL	WELDED
COATING	PAINTED
DEPTH OF PAINT	1/4" - 1/2"
DEPTH OF PAINT	1/4" - 1/2"
DEPTH OF PAINT	1/4" - 1/2"
DEPTH OF PAINT	1/4" - 1/2"
DEPTH OF PAINT	1/4" - 1/2"
DEPTH OF PAINT	1/4" - 1/2"
DEPTH OF PAINT	1/4" - 1/2"
DEPTH OF PAINT	1/4" - 1/2"
DEPTH OF PAINT	1/4" - 1/2"



DECK PLAN & HOPPER
1/4" = 1'-0"



OUTWARD PROFILE
1/4" = 1'-0"



GENERAL ARRANGEMENT 250' FOR STEERING COMPONENT			
DESIGN NO.	DATE	BY	CHKD.
1000000	10/1/59	J.M.W.	W.H.S.
1000000	10/1/59	J.M.W.	W.H.S.
1000000	10/1/59	J.M.W.	W.H.S.
1000000	10/1/59	J.M.W.	W.H.S.
1000000	10/1/59	J.M.W.	W.H.S.
1000000	10/1/59	J.M.W.	W.H.S.
1000000	10/1/59	J.M.W.	W.H.S.
1000000	10/1/59	J.M.W.	W.H.S.
1000000	10/1/59	J.M.W.	W.H.S.
1000000	10/1/59	J.M.W.	W.H.S.